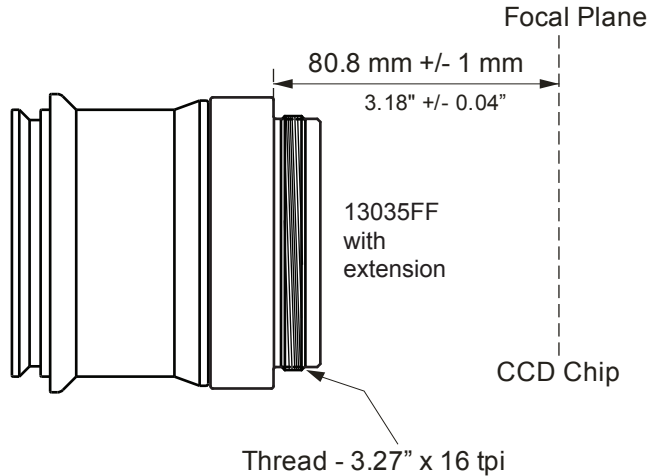


Astro-Physics 130 GTX Field Flattener Spacing Requirements

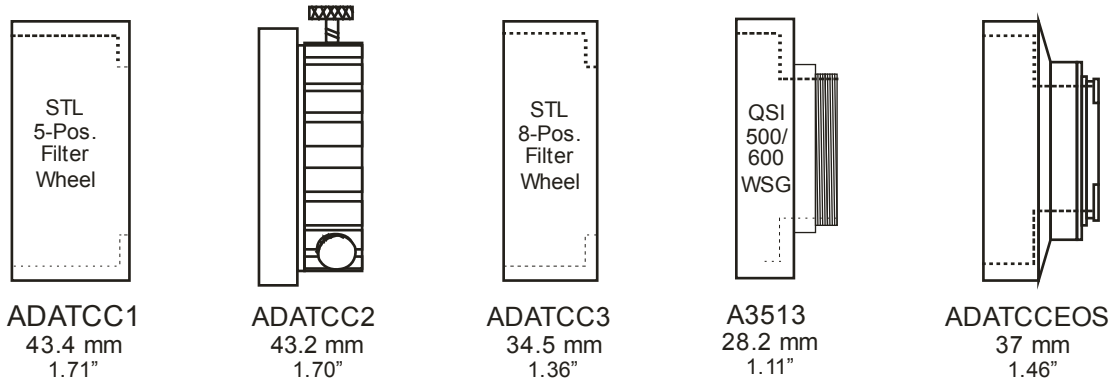
13035FF - f/6.7 for 130 f/6.3 StarFire GTX

You will note that your Field Flattener includes an extension on the back to provide the perfect spacing for our line of specialized adapters. Please review the information below to determine whether the extension should be used in your application or not.

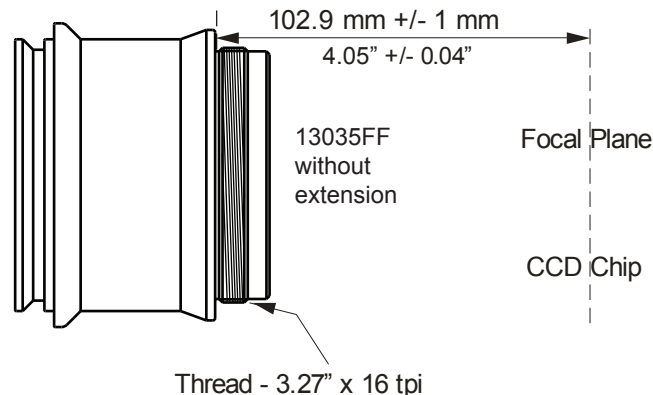


Note: The distance must be the *Optical* distance - *NOT* the mechanical distance. Please be sure you have accounted for the indexing effects of your filters, sensor window, sensor cover slip, and any other glass in the light path. [Rule of thumb: subtract 1/3 of the total glass thickness from the mechanical distance...the length of the adapter will increase.]

Amount of spacing consumed by Astro-Physics adapters



Spacing from rear surface of 13035FF when the Backfocus Spacer is removed. For imaging trains that require more than the 80.8 mm standard backfocus spacing, the extension can be removed to provide additional room for such items as off-axis guiders. The allowable spacing without the Spacer is shown below. The drawing references the AP 130 GTX distance.



Warning: Take extra care of rear optic when Backfocus Spacer is removed!