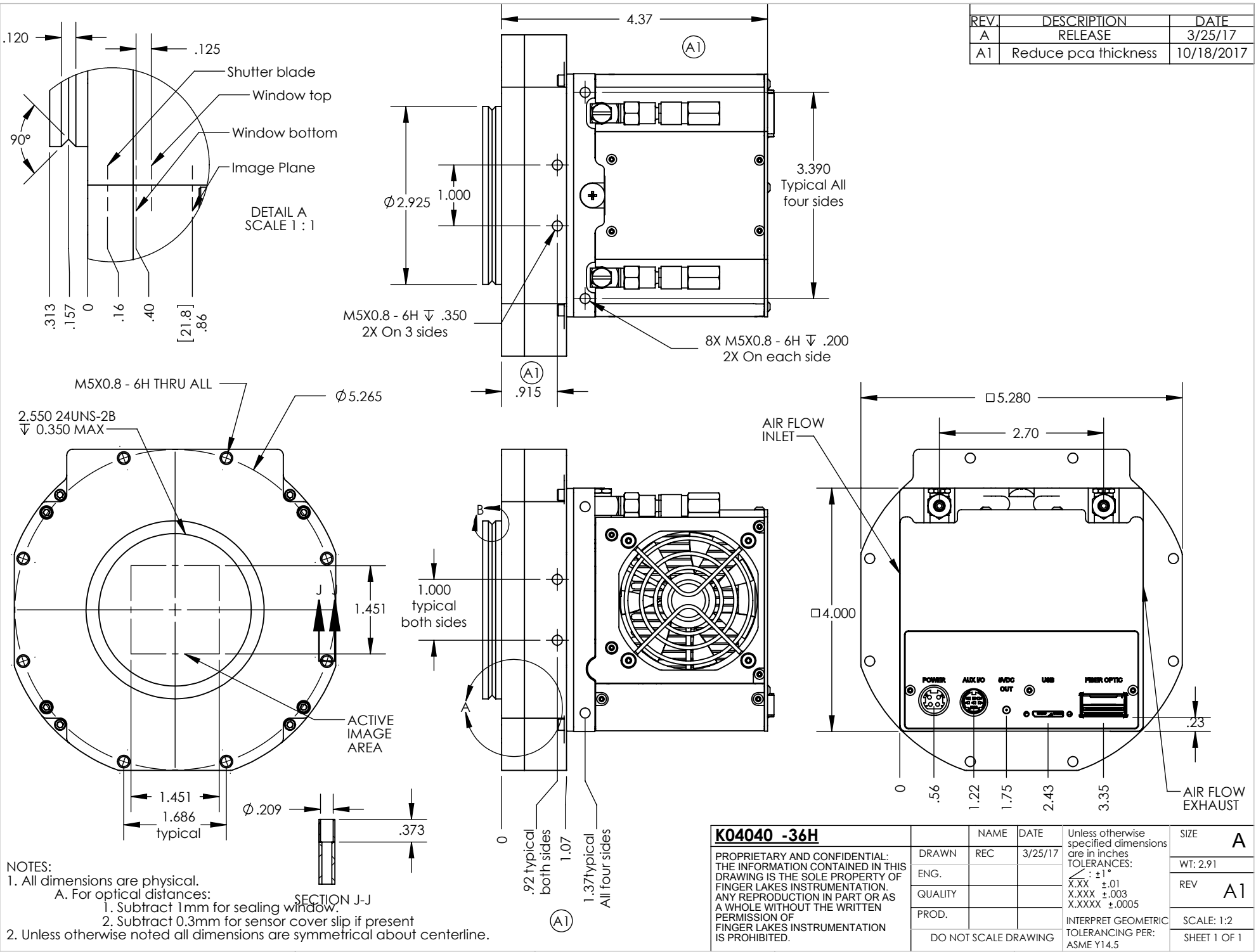


REV.	DESCRIPTION	DATE
A	RELEASE	3/25/17
A1	Reduce pca thickness	10/18/2017



5

4

3

2

1