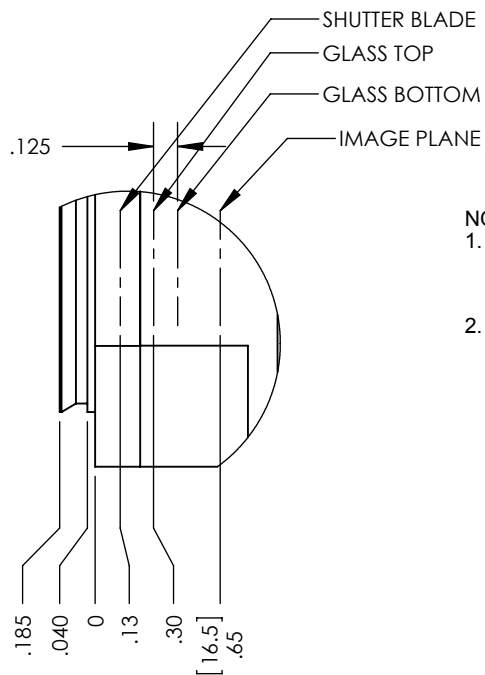


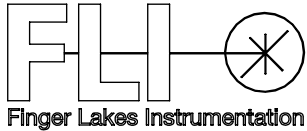
VIEW TYPICAL ALL FOUR SIDES



DETAIL A  
SCALE 1 : 1

- NOTES:
- All dimensions are physical.
    - For optical distances:
      - Subtract 1mm for sealing window.
      - Subtract 0.3mm for CCD cover slip if present
  - Unless otherwise noted all dimensions are symmetrical about centerline.

K\_-4ZN



PROPRIETARY AND CONFIDENTIAL:  
THE INFORMATION CONTAINED IN THIS  
DRAWING IS THE SOLE PROPERTY OF  
FINGER LAKES INSTRUMENTATION.  
ANY REPRODUCTION IN PART OR AS  
A WHOLE WITHOUT THE WRITTEN  
PERMISSION OF  
FINGER LAKES INSTRUMENTATION  
IS PROHIBITED.

|                      |      |         |            |   |  |              |
|----------------------|------|---------|------------|---|--|--------------|
|                      | NAME | DATE    | SIZE       | A | Unless otherwise specified dimensions are in inches<br>TOLERANCES:<br><math>\leq \pm 1^\circ</math><br>X.XX $\pm .01</math>X.XXX \pm .003</math>X.XXXX \pm .0005</math>$ | MATERIAL:    |
| DRAWN                | REC  | 8/28/17 | WT: 2.57   |   |  |              |
| ENG.                 |      |         | REV        | A | INTERPRET GEOMETRIC TOLERANCING PER: ASME Y14.5  | FINISH:      |
| QUALITY              |      |         |            |   |  |              |
| PROD.                |      |         |            |   |  |              |
| DO NOT SCALE DRAWING |      |         | SCALE: 1:2 |   |  | SHEET 1 OF 1 |