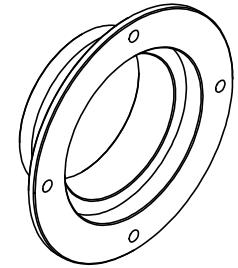
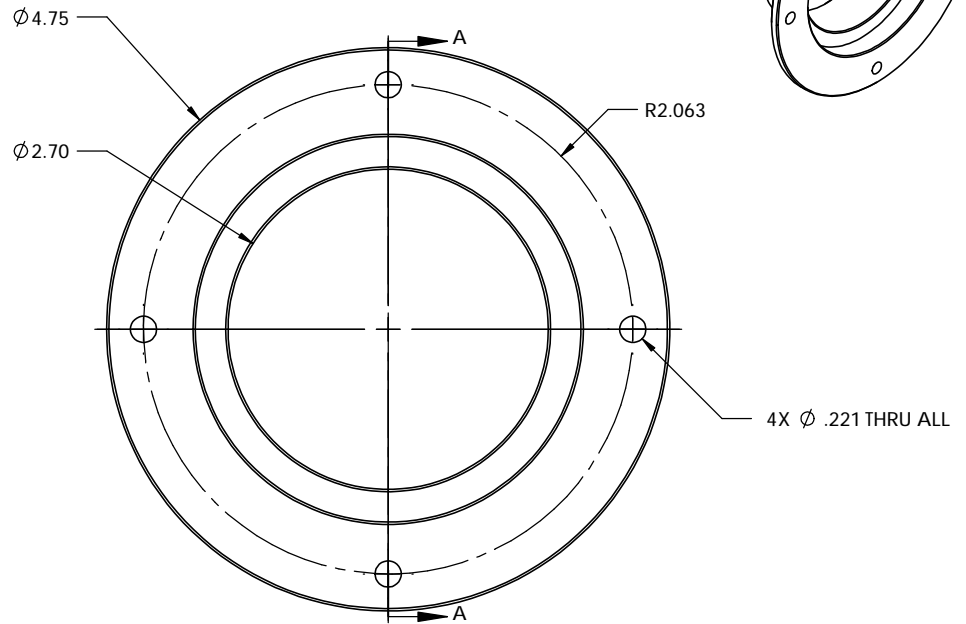
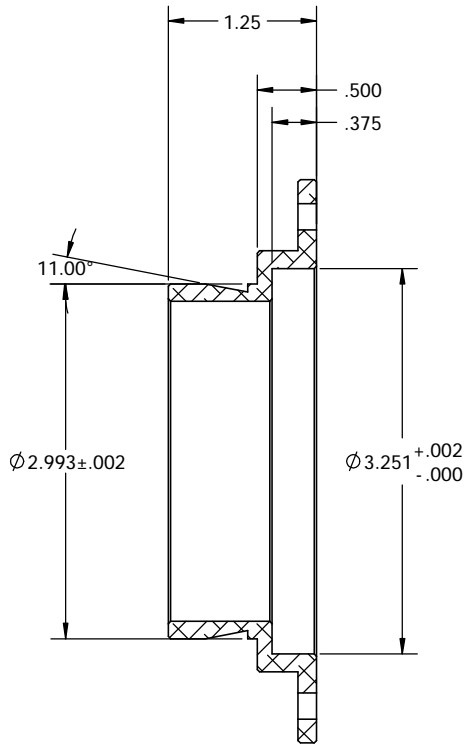


PN 4934
STK. NO. 17835



UNLESS OTHERWISE SPECIFIED: DIMENSIONS ARE IN INCHES TOLERANCES: FRACTIONAL ± ANGULAR: MACH ± BEND ± TWO PLACE DECIMAL ±.007 THREE PLACE DECIMAL ±.003	DRAWN	NAME	DATE	Optec
	CHECKED	LD	06/11/09	
MATERIAL 6061-T6 FINISH FROSTKOTE BRIGHT DIP BLACK DO NOT SCALE DRAWING	ENG APPR.	CONTRACT		TITLE:
	MFG APPR.			3-INCH ADAPTERS
THIRD ANGLE PROJECTION	Q.A.	SIZE		DWG. NO.
	3-INCH ADAPTERS		B	17-06693
SCALE: 1:1			WEIGHT:	SHEET 1 OF 1