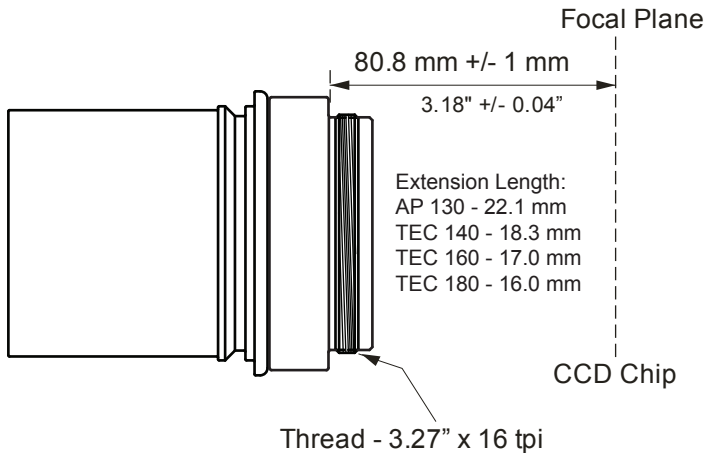


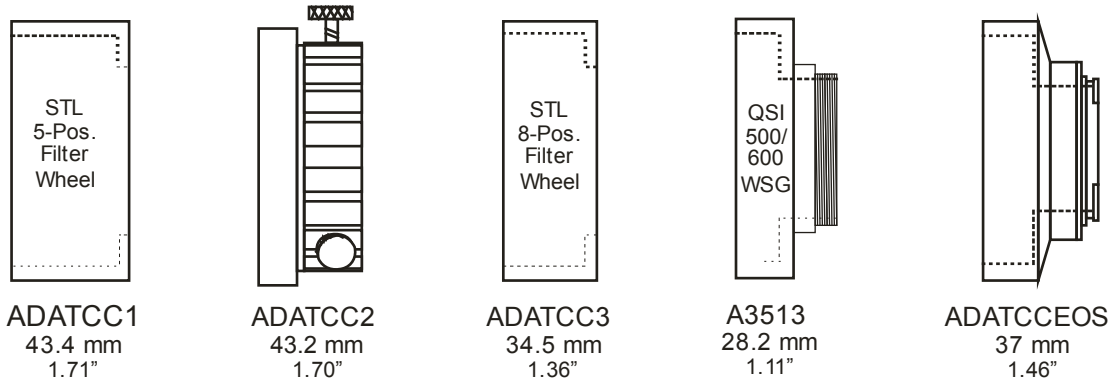
Astro-Physics 0.72x Quad Telecompressor Corrector Spacing Requirements

QUADTCC-AP130 f/4.5 for 130 f/6.3 StarFire GTX
 QUADTCC-TEC140 f/5.0 for TEC 140 f/7
 QUADTCC-TEC160 f/5.0 for TEC 160 f/7
 QUADTCC-TEC180 f/5.0 for TEC 180 f/7



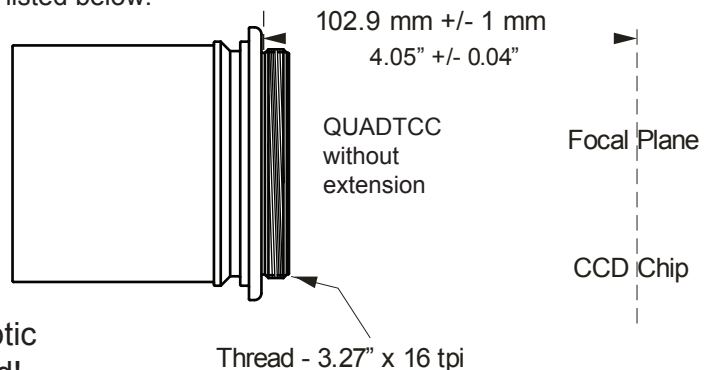
Note: The distance must be the *Optical* distance - *NOT* the mechanical distance. Please be sure you have accounted for the indexing effects of your filters, sensor window, sensor cover slip, and any other glass in the light path. [Rule of thumb: subtract 1/3 of the total glass thickness from the mechanical distance...the length of the adapter will increase.]

Amount of spacing consumed by Astro-Physics adapters



Spacing from rear flange of QUADTCC when Backfocus Spacer removed. For imaging trains that require more than the 80.8 mm standard backfocus spacing, the extension can be removed to provide additional room for such items as off-axis guiders. The allowable spacing without the Spacer is shown below. The drawing references the AP 130 GTX distance. The equivalent TEC scope spacing distances are listed below:

AP 130 GTX - 102.9 mm +/- 1 mm
 TEC 140 - 99.1 mm +/- 1 mm
 TEC 160 - 97.8 mm +/- 1 mm
 TEC 180 - 96.8 mm +/- 1 mm



Warning: Take extra care of rear optic when Backfocus Spacer is removed!