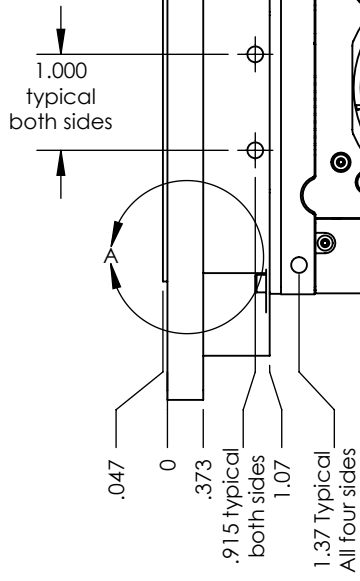
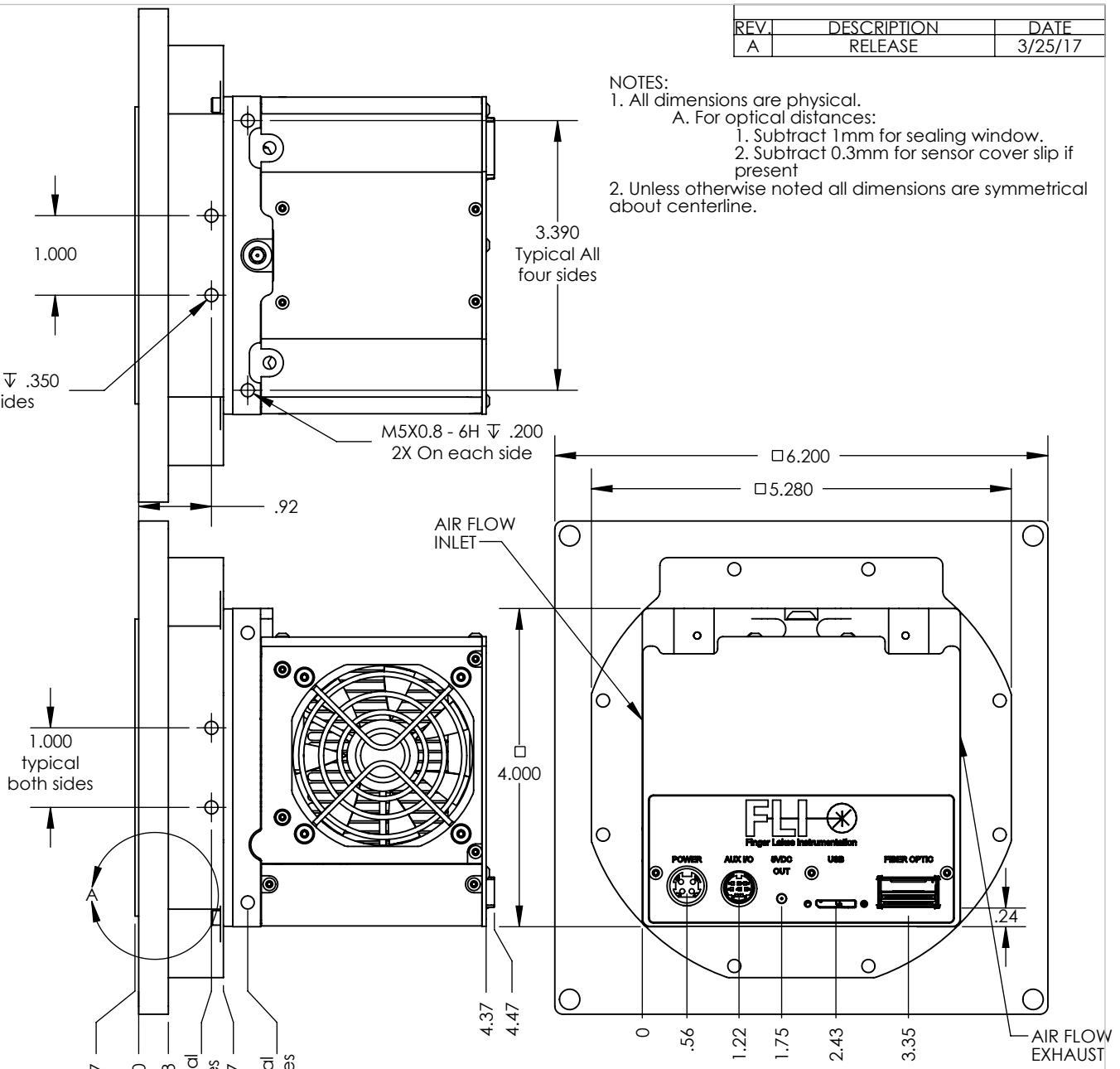
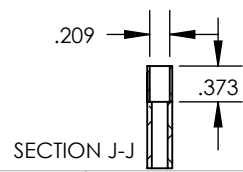
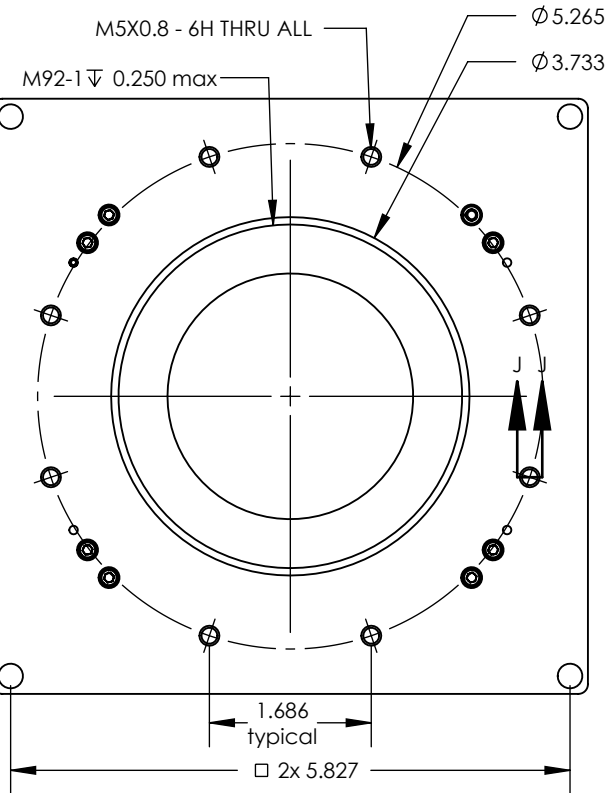
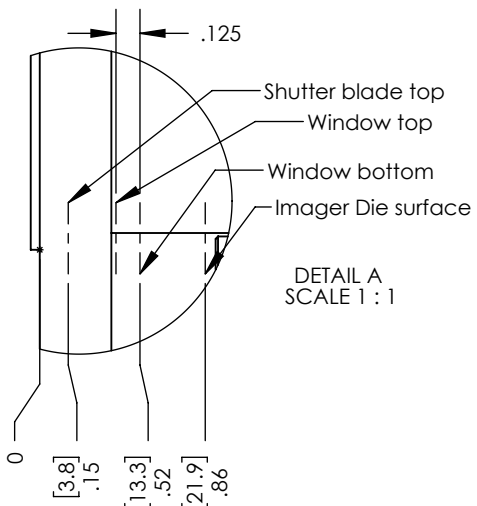


| REV. | DESCRIPTION | DATE |
|------|-------------|---------|
| A | RELEASE | 3/25/17 |

- NOTES:
 1. All dimensions are physical.
 A. For optical distances:
 1. Subtract 1mm for sealing window.
 2. Subtract 0.3mm for sensor cover slip if present
 2. Unless otherwise noted all dimensions are symmetrical about centerline.



| K 6FA | | NAME | DATE | Unless otherwise specified dimensions are in inches TOLERANCES: ∠ : ±1° X.XX ±.01 X.XXX ±.003 X.XXXX ±.0005 | SIZE |
|--|--|---|------|--|--------------|
| PROPRIETARY AND CONFIDENTIAL: THE INFORMATION CONTAINED IN THIS DRAWING IS THE SOLE PROPERTY OF FINGER LAKES INSTRUMENTATION. ANY REPRODUCTION IN PART OR AS A WHOLE WITHOUT THE WRITTEN PERMISSION OF FINGER LAKES INSTRUMENTATION IS PROHIBITED. | | DRAWN | REC | | 3/25/17 |
| | | ENG. | | | WT: 3.25 |
| | | QUALITY | | | REV |
| | | PROD. | | | A |
| | | DO NOT SCALE DRAWING | | | SCALE: 1:2 |
| | | INTERPRET GEOMETRIC TOLERANCING PER: ASME Y14.5 | | | SHEET 1 OF 1 |