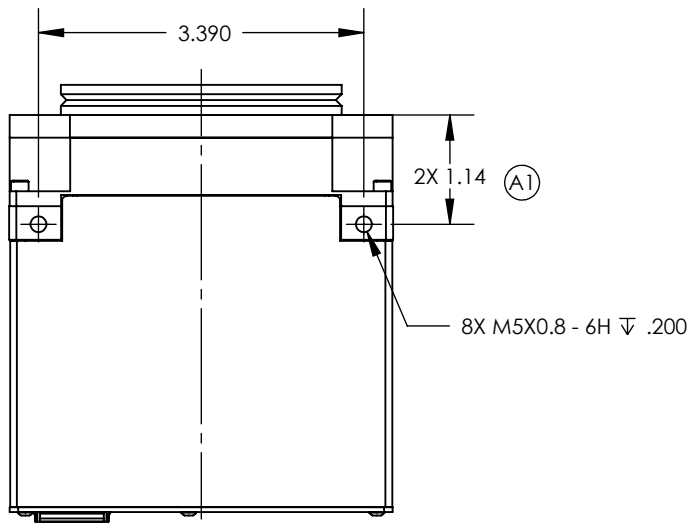
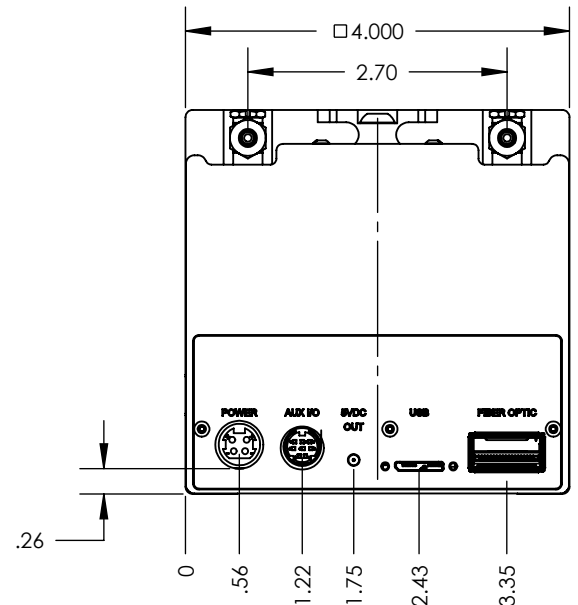
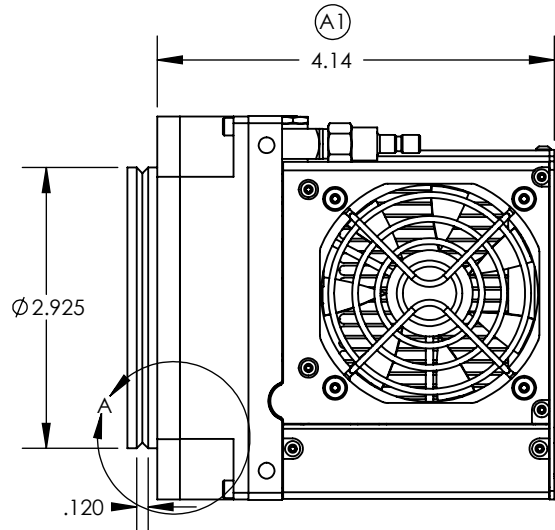
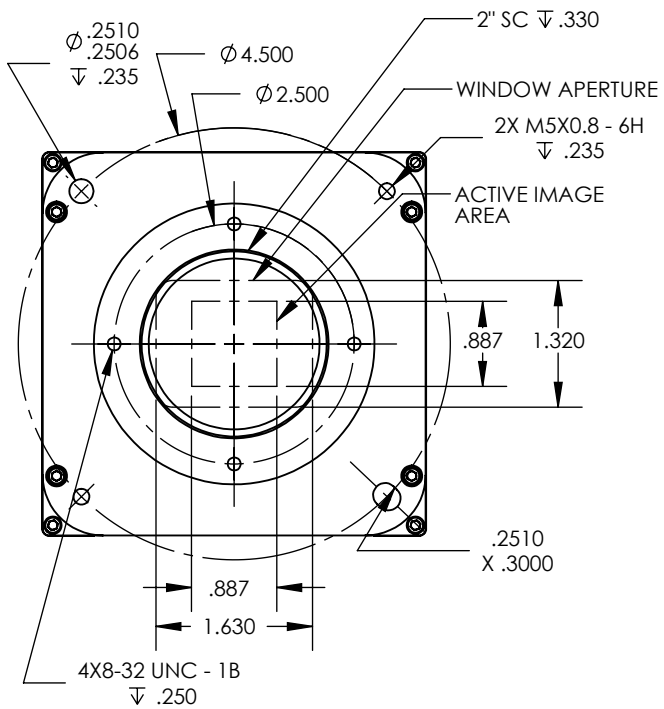
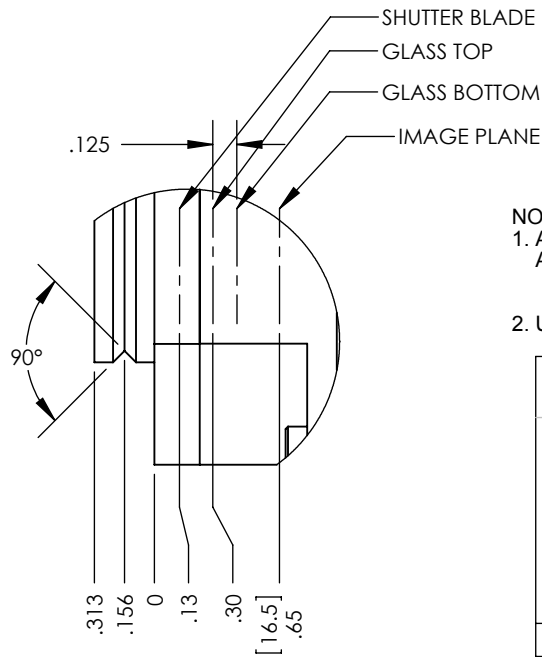


REV	DESCRIPTION	DATE
A	Release	8/30/17
A1	Chng pca thickness	10/18/17



VIEW TYPICAL ALL FOUR SIDES



DETAIL A
SCALE 1 : 1

- NOTES:
- All dimensions are physical.
 - A. For optical distances:
 - Subtract 1mm for sealing window.
 - Subtract 0.3mm for CCD cover slip if present
 - Unless otherwise noted all dimensions are symmetrical about centerline.

K00400 -34YN



PROPRIETARY AND CONFIDENTIAL:
THE INFORMATION CONTAINED IN THIS
DRAWING IS THE SOLE PROPERTY OF
FINGER LAKES INSTRUMENTATION.
ANY REPRODUCTION IN PART OR AS
A WHOLE WITHOUT THE WRITTEN
PERMISSION OF
FINGER LAKES INSTRUMENTATION
IS PROHIBITED.

	NAME	DATE	SIZE	A	Unless otherwise specified dimensions are in inches	MATERIAL:
DRAWN	REC	8/28/17			TOLERANCES:	
ENG.					$\leq : \pm 1^\circ$	FINISH:
QUALITY					X.XX $\pm .01$	
PROD.					X.XXX $\pm .003$	
					X.XXXX $\pm .0005$	
DO NOT SCALE DRAWING			SCALE: 1:2	A1	INTERPRET GEOMETRIC TOLERANCING PER: ASME Y14.5	
						SHEET 1 OF 1