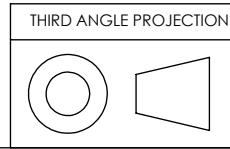
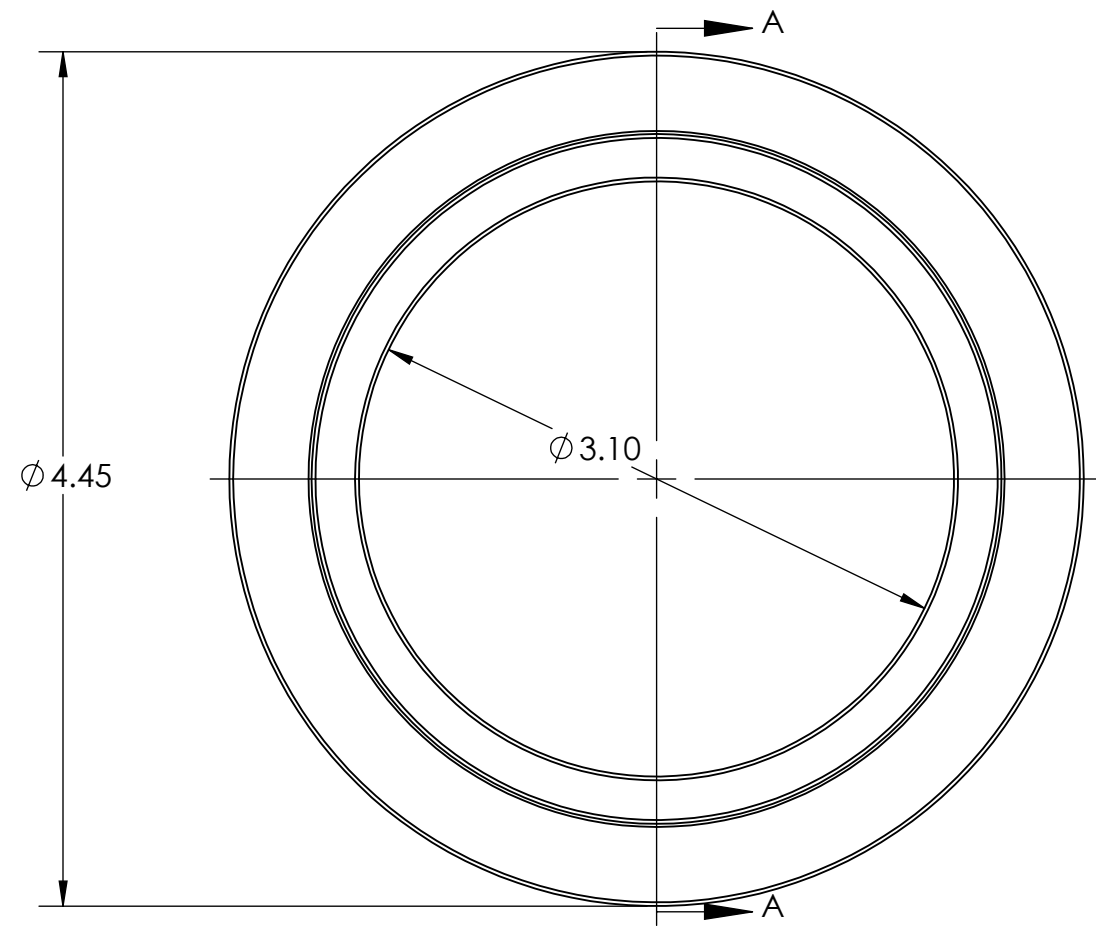
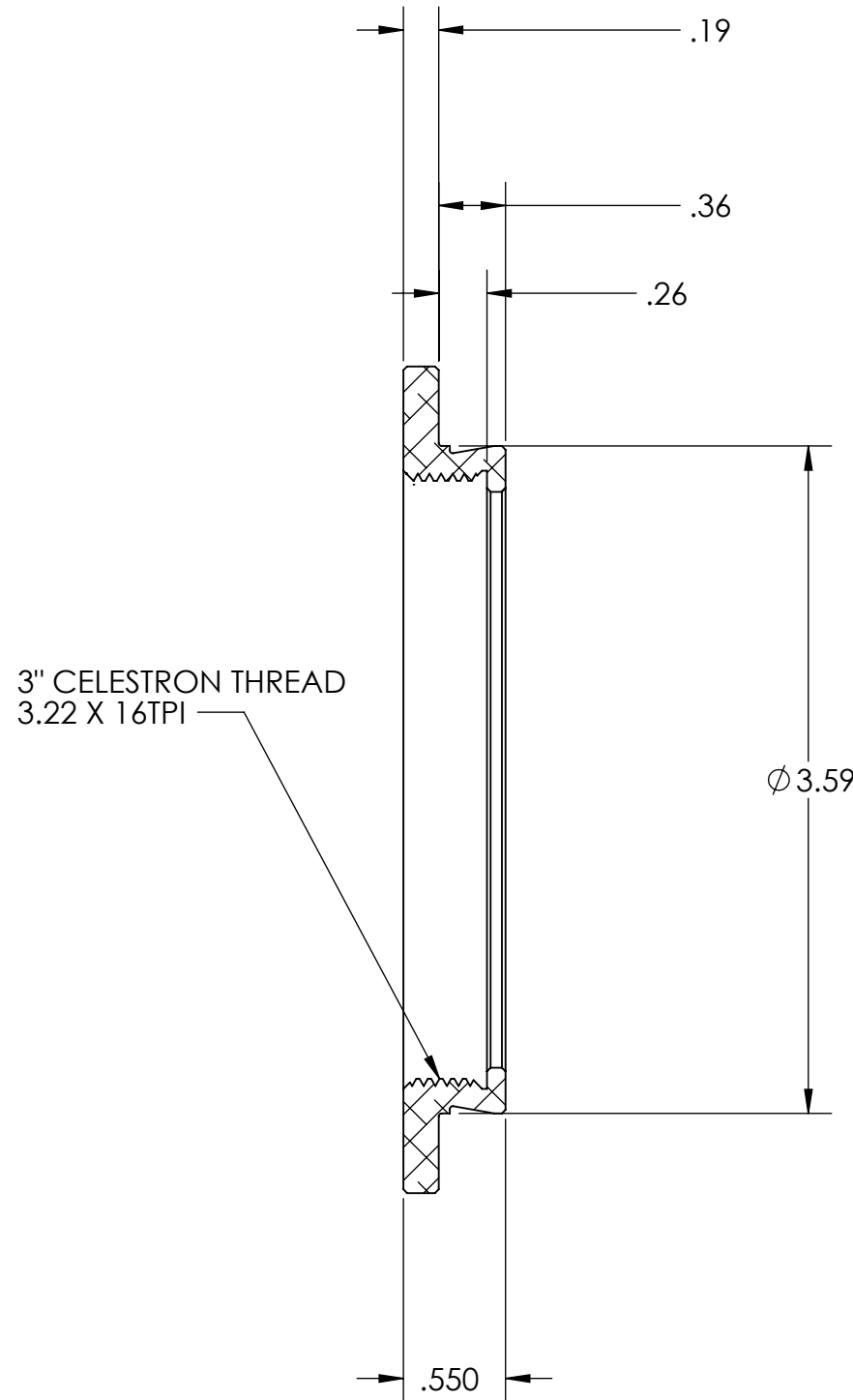


PN 4469
STK NO 17803



| | | | | |
|--|-----------|------------|----------------------|--|
| UNLESS OTHERWISE SPECIFIED: DIMENSIONS ARE IN INCHES TOLERANCES: FRACTIONAL ± ANGULAR: MACH ± BEND ± TWO PLACE DECIMAL ±.007 THREE PLACE DECIMAL ±.003 | DRAWN | NAME | DATE | Optec Inc. |
| | CHECKED | LD | 11/03/10 | |
| | ENG APPR. | | | |
| | MFG APPR. | | | |
| MATERIAL | 6061-T6 | CONTRACT | | TITLE: LOW PROFILE CELESTRON 3" THREAD TO OPTEC 3600 |
| FINISH | SEE NOTES | OPTEC 3600 | | |
| DO NOT SCALE DRAWING | | SIZE | DWG. NO. | |
| | | B | 17-06660 REV1 | |
| | | SCALE: 1:1 | WEIGHT: | SHEET 1 OF 1 |